

High speed door

ASSA ABLOY HS9010PFR

ASSA ABLOY

ASSA ABLOY Entrance Systems

The global leader in door opening solutions



Medium sized high speed door for freezer applications

The ASSA ABLOY HS9010PFR is designed for freezer environments, allowing efficient traffic flow while minimizing temperature variations. The main features of the ASSA ABLOY HS9010PFR are:

- Medium-sized, max. 4000 x 5500 mm
- Freezer applications
- Inside usage
- Galvanised steel construction, option Stainless steel 304
- Unique dual barrel power drive system
- Opening speed up to 2,4 m/s

The high operating speed and an excellent seal optimize the internal traffic flow and provide energy savings. The door can be set to open every 20-25 minutes to avoid build-up of ice on side-guides and curtain. Heating cables in the side columns and motor help prevent ice formation.

The unique dual barrel power drive system eliminates the need for weighted bottom bars or tension systems by actively driving the door curtain.

The reliable and versatile control unit ensures precise door set up and diagnostics and is enclosed in a robust steel control box. A customer friendly clear display gives a wide range of information like an easy to read cycle counter.

Break-away and Automatic Reset system

ASSA ABLOY high speed doors are equipped with a break-away and automatic reset system. The curtain reintroduces itself after a crash to reduce downtime and maintenance.

Completely safe

Features that make our doors completely safe.

- The soft bottom beam has no rigid parts, it gives way should an obstruction be in the line of closing
- If the door is hit, the fabric curtain absorbs the impact and releases itself from its side guides without causing damage or being damaged itself.

Windows

To increase visibility, the door curtain can be equipped with pre-defined windows.

Insulated curtain

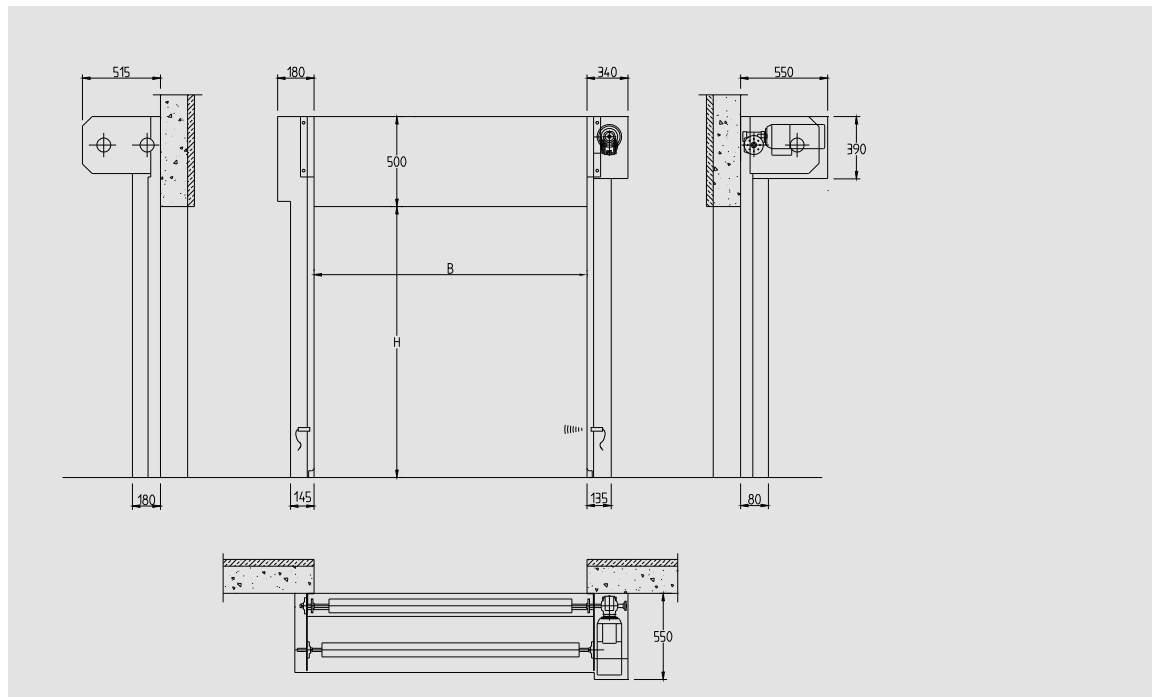
An insulated curtain with an increased insulation of 2,41 W/(m²K) is available as an option.

Technical Data

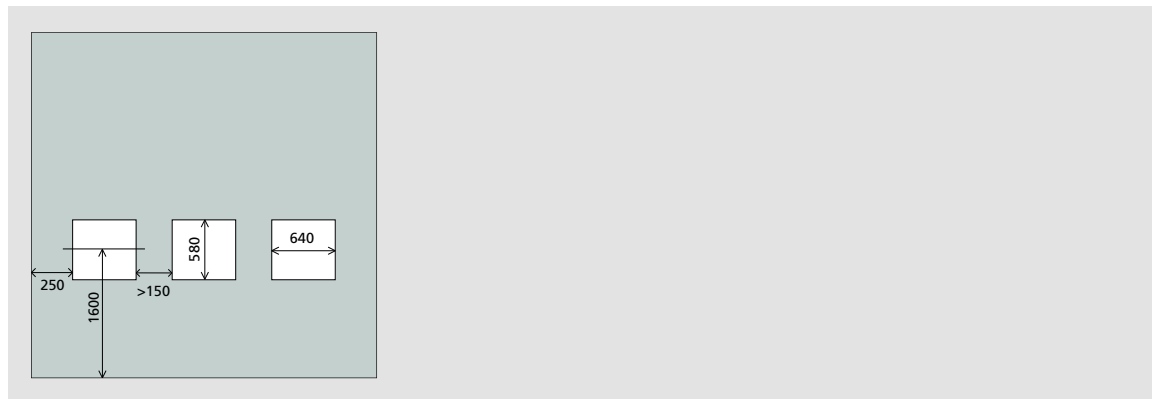
Min size (W x H)	1000 x 2000 mm
Max size (W x H) ¹	4000 x 5500 mm
Operating speed ²	opening: up to 2,4 m/s closing: 1,2 m/s
Wind load resistance, EN 12424	class 1 (300 N/m ²)
Water penetration, EN 12425	class 1 (30 N/m ²)
Air permeability, EN 12426	class 1 (24 m ³ /m ² /h at 50 Pa)
Thermal transmittance	6,02 W/(m ² K)
Performance Test	1.000.000 cycles

1) Other sizes available on request 2) Depending on door size

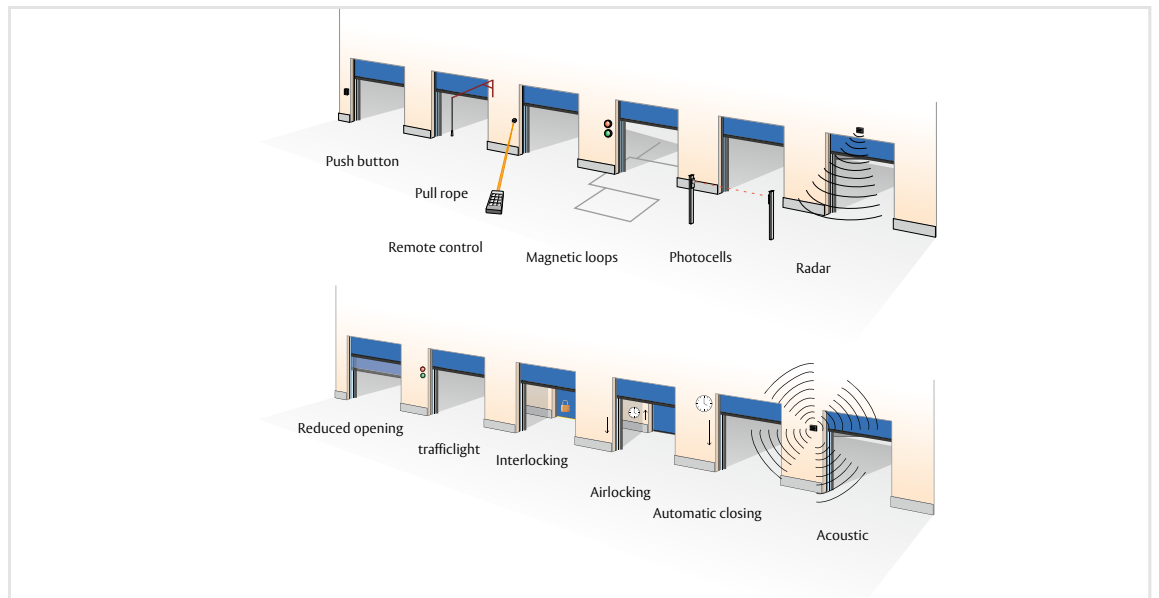
Dimensional specifications



Windows



Options access and automation



Standard available colours

