

# High speed door

## ASSA ABLOY HS8020PL

ASSA ABLOY

ASSA ABLOY Entrance Systems

The global leader in door opening solutions



### Large sized high speed door for outside applications with high windloads

The main features of the ASSA ABLOY HS8020PL are:

- Large-sized, max. 8000 x 5500 mm
- Heavy-duty operations
- Outside usage
- High wind loads, up to class 4
- Galvanised steel construction
- Unique direct door drive system
- Opening speed up to 1,4 m/s

The unique dual barrel power drive system eliminates the need for weighted bottom bars or tension systems by actively driving the door curtain. An exceptional reliability and smooth operation is ensured by a frequency converter driven motor for a soft start and stop.

Additional full height reinforced side guides ensure reliable opening and closing during heavy winds.

The reliable and versatile control unit ensures precise door set up and diagnostics and is enclosed in a robust steel control box. The clear display is customer friendly giving a wide range of information like an easy to read cycle counter.

#### Break-away - and Automatic Reset system

ASSA ABLOY high speed doors are equipped with a break-away - and automatic reset system. The curtain reintroduces itself after a crash to reduce downtime and maintenance.

#### Completely safe

Features that make our doors completely safe.

- The soft bottom profile has no rigid parts, it gives way should an obstruction be in the line of closing.
- If the door is hit, the fabric curtain absorbs the impact and releases itself from its side guides without causing damage or being damaged itself.

#### Windows

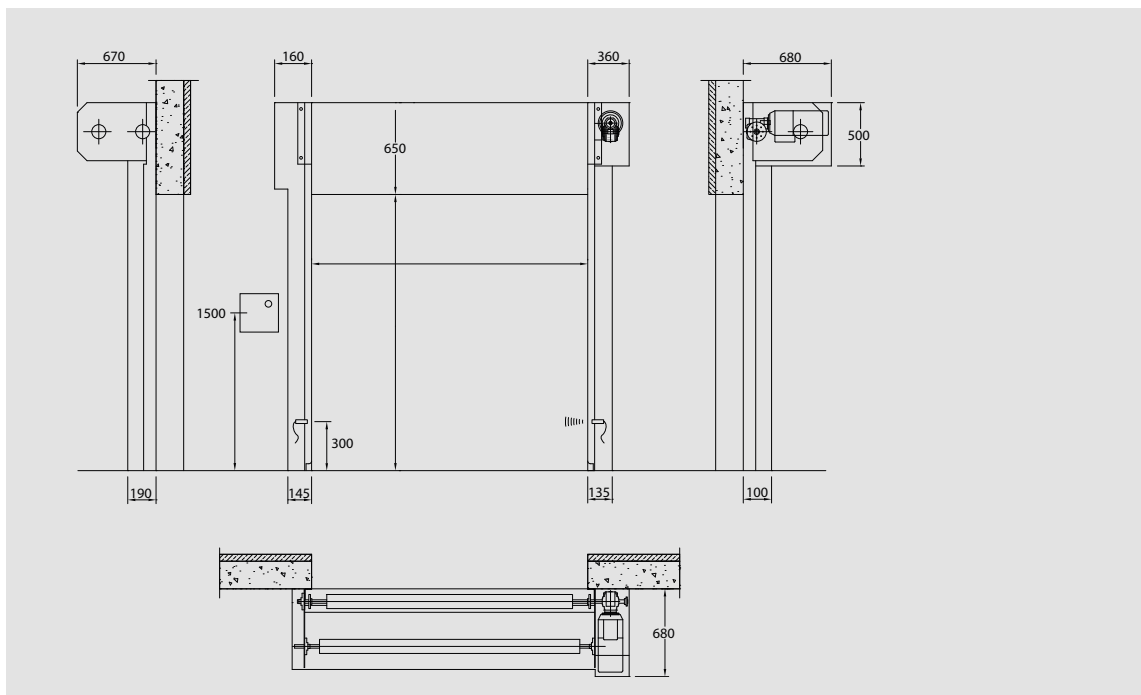
To increase the admission of daylight and visibility, the door curtain can be equipped with windows or vision panels. Windows have fixed sizes and are located on a pre-defined grid.

### Technical Data

Min size (W x H)	5500 x 2000 mm
Max size (W x H) <sup>1</sup>	8000 x 5500 mm
Operating speed <sup>2</sup>	opening: up to 1,4 m/s closing: up to 0,6 m/s
Wind load resistance, EN 12424	class 3 (700 N/m <sup>2</sup> ) class 4 (1000 N/m <sup>2</sup> ) for doors up to 6000 x 5500 mm
Water penetration, EN 12425	class 1 (30 N/m <sup>2</sup> )
Air permeability, EN 12426	class 1 (24 m <sup>3</sup> /m <sup>2</sup> /h at 50 Pa)
Thermal transmittance	6,02 W/(m <sup>2</sup> K)
Performance Test	750.000 cycles

1) Other sizes available on request 2) Depending on door size

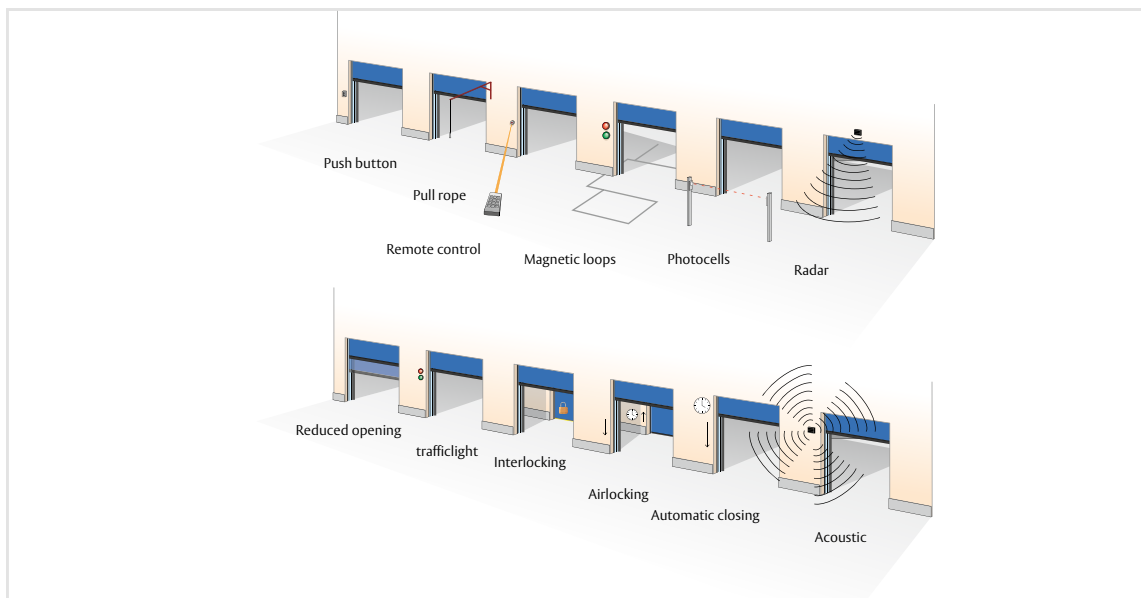
# Dimensional specifications



# Windows



# Options access and automation



# Standard available colours

