

High speed door

ASSA ABLOY HS9030GHY

ASSA ABLOY

ASSA ABLOY Entrance Systems

The global leader in door opening solutions



Compact gravity assisted high speed door for hygienic applications

The ASSA ABLOY HS9030GHY high speed door is designed for interior applications in humid or corrosive environments, and in the food industry where hygiene demands are high. The main features of the ASSA ABLOY HS9030GHY are:

- Medium-sized, max. 4000 x 4000 mm
- Humid or Corrosive environments
- Space saving design
- Inside usage
- Stainless steel 304 construction
- Gravity drive system
- Opening speed up to 2,7 m/s

The ASSA ABLOY HS9030GHY requires very little space, and it is the most space-efficient high speed door available in the market. Corrosion resistant covers combined with stainless steel components and a reduced footprint on both sides allow this door to fit into the tightest hygienic areas. In addition, a continuous curtain sealing within the side columns prevents drafts, vermin ingress and limits the air exchange between areas. The reliable and versatile control unit ensures precise door set up and diagnostics and is enclosed in a robust steel control box. A customer friendly clear display gives a wide range of information like an easy to read cycle counter.

Break-away and Automatic Reset system

ASSA ABLOY high speed doors are equipped with a break-away and automatic reset system. The curtain reintroduces itself after a crash to reduce downtime and maintenance.

Completely safe

Features that make our doors completely safe.

- The soft bottom profile has no rigid parts, it gives way should an obstruction be in the line of closing.
- If the door is hit, the fabric curtain absorbs the impact and releases itself from its side guides without causing damage or being damaged itself.

Windows

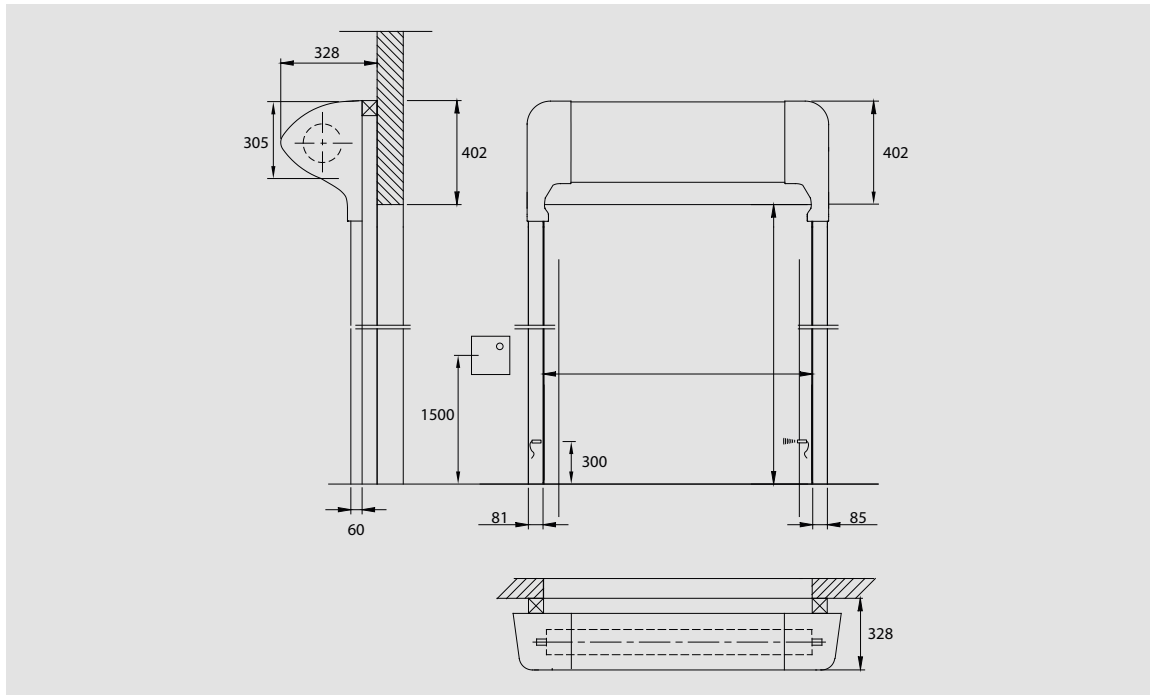
To increase the admission of daylight and visibility, the door curtain can be equipped with windows or vision panels. Windows have fixed sizes and are located on a pre-defined grid.

Technical Data

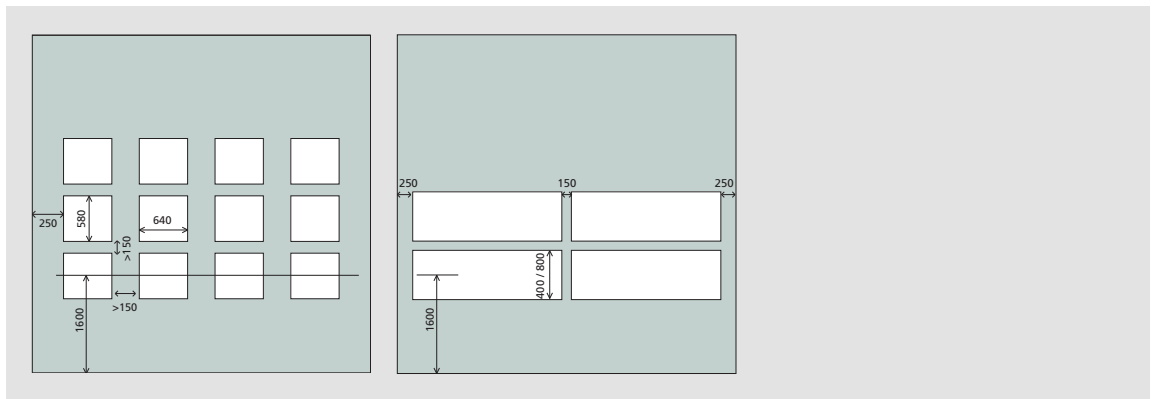
Min size (W x H)	1000 x 2000 mm
Max size (W x H) ¹⁾	4000 x 4000 mm
Operating speed ²⁾	opening: up to 2,7 m/s closing: 0,5 m/s
Wind load resistance, EN 12424	class 1 (300 N/m ²) maximum wind load while closing 50 N/m ²
Water penetration, EN 12425	class 3 (>50 N/m ²)
Air permeability, EN 12426	class 2 (12 m ³ /m ² /h at 50 Pa)
Thermal transmittance	6,02 W/(m ² K)
Performance Test	1.000.000 cycles

1) Other sizes available on request 2) Depending on door size

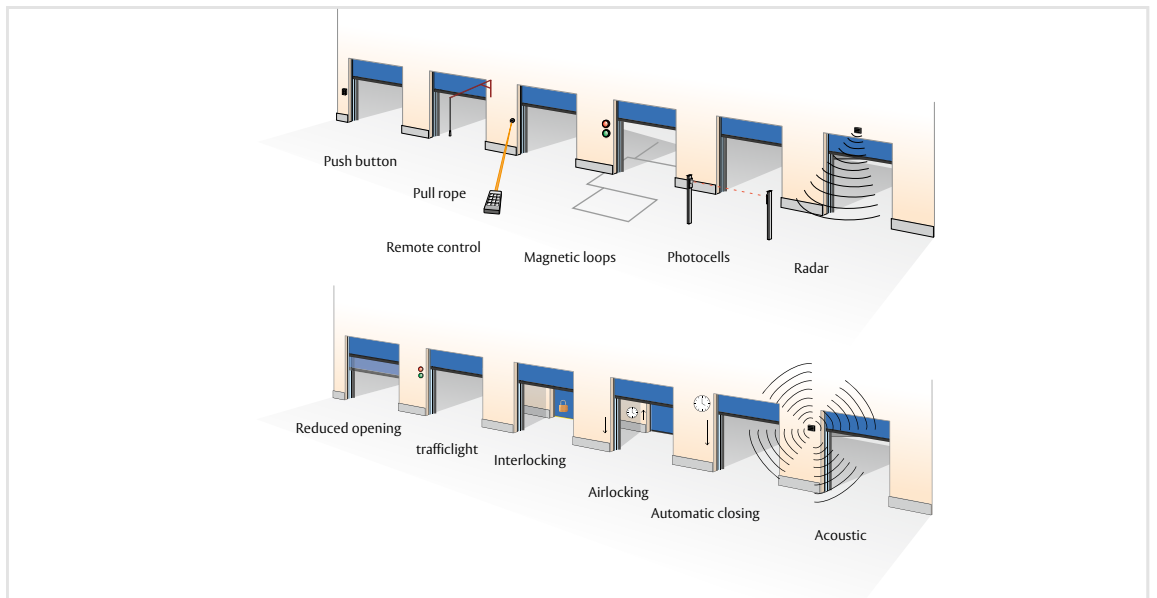
Dimensional specifications



Windows and Vision panels



Options access and automation



Standard available colours

